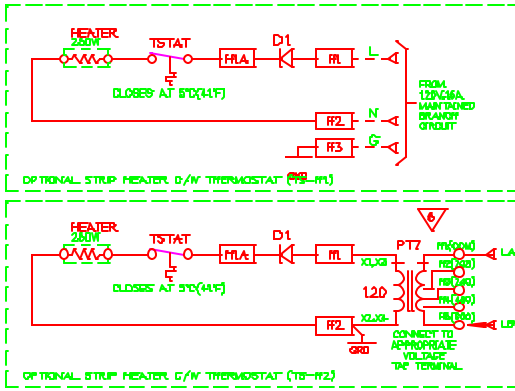
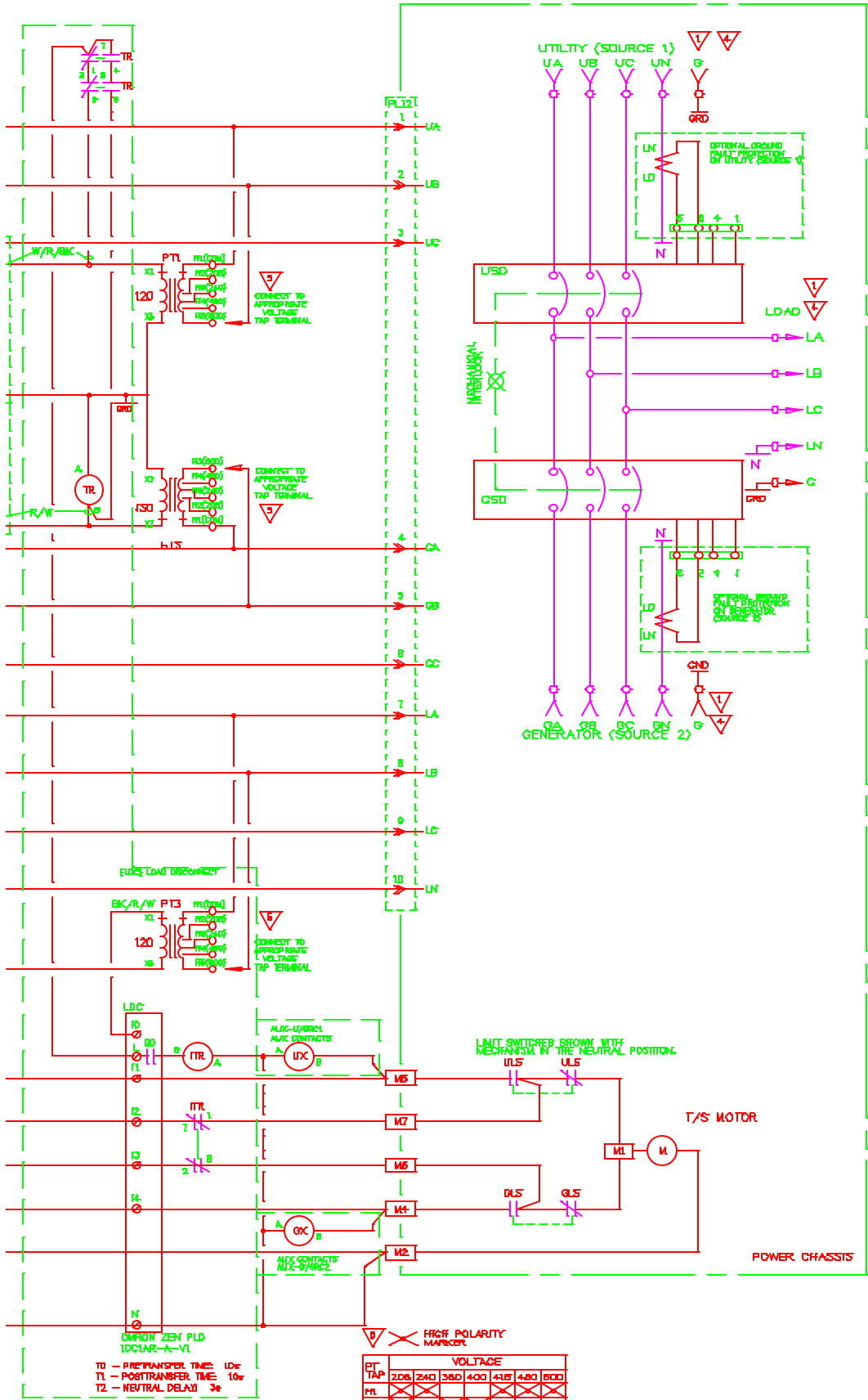


QUANTITY 3	QUANTITY 2	QUANTITY 1	AUX-U/SPUD AUX CONTACTS 10A,120/240VAC 5A,30VDC, RES
3A C-21	2A C-21	1A C-21	
UX C-20	UX C-20	UX C-20	
3B C-21	2B C-21	1B C-21	
AUX-U OPT.	AUX-U OPT.	AUX-U OPT.	
3C C-21	2C C-21	1C C-21	UPA UTIL/SPUD AUX CONTACTS 10A,120VAC
UPA C-21	UPA C-21	UPA C-21	
3E C-21	2E C-21	1E C-21	
UPA OPT.	UPA OPT.	UPA OPT.	
3X C-21	2X C-21	1X C-21	AUX-G/SPUD AUX CONTACTS 10A,120VAC
GXC C-21	GXC C-21	GXC C-21	
3Y C-21	2Y C-21	1Y C-21	
AUX-G OPT.	AUX-G OPT.	AUX-G OPT.	
3B C-21	2B C-21	1B C-21	UPA GEN/SPUD AUX CONTACTS 10A,120VAC
GPAC C-21	GPAC C-21	GPAC C-21	
3F C-21	2F C-21	1F C-21	
OPA OPT.	OPA OPT.	OPA OPT.	



APPROVED FOR CONSTRUCTION
 MASTER COPY REFERENCE COPY OF _____
 MULTIPLE UNIT WORK ORDER
 RELEASED FOR INFORMATION
 AUTH. BY: _____ DATE: _____

DRAWING No.	REFERENCE DRAWINGS	No.	REVISIONS
		1	REVISE LOG COF



TSC80 CONTROLLER FACTORY SETTINGS

ENGINE START TIMER:	3 (0-60s)
ENGINE WARM-UP TIMER:	2 (0-60s)
ENGINE COOLDOWN TIMER:	2 (0-30m)
UTILITY RETURN TIMER:	2 (0-30m)
NEUTRAL DELAY TIMER:	3 (0-60s)
TRANSFER FAIL TIMER:	30s (FIXED)
EXERCISE TIMER:	20m (FIXED)
UTIL U/V TIMER:	1s (FIXED)
GENERATOR U/V TIMER:	5s (FIXED)
GENERATOR U/F TIMER:	5s (FIXED)
UTILITY U/V (PU):	88% (70-96)
UTILITY U/V (PU):	90% (70-96)
GENERATOR U/V (DO):	88% (70-98)
GENERATOR U/V (PU):	90% (5% > 1)
GENERATOR U/F:	90% (70-90)

ALL SETTINGS ARE FIELD ADJUSTABLE UNLESS NOTED

TRANSFER SWITCH WIRING OPTIONS

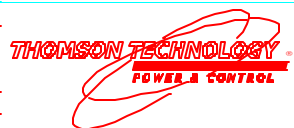
- FTS4 TEST SWITCH
 - AUX-G(SRC2) CONTACTS
EQTY [EMAX 3]
 - AUX-U(SRC1) CONTACTS
EQTY [EMAX 3]
 - UTIL(SRC1) PWR AVL CONT'S
EQTY [EMAX 3]
 - GEN(SRC2) PWR AVL CONT'S
EQTY [EMAX 3]
 - LDC[LOAD DISCONNECT CONTACT]
 - ENCLOSURE HEATER EXT. PWR
 - ENCLOSURE HEATER INT. PWR
 - SHUNT TRIP UTILITY SWITCH
[SHUNT VOLTAGE] 1
 - SHUNT TRIP GENERATOR SWITCH
[SHUNT VOLTAGE] 1
 - PROG. EXERCISE TIMER
 - UTILITY SWITCHING DEVICE
 - MOLDED CASE SWITCH
 - THERMAL MAGNETIC
 - ELECTRONIC (LD)
 - ELECTRONIC (LSD)
 - POLES:
 - TRIP RATING: A
 - WITHSTAND RATING: KA B
 - GENERATOR SWITCHING DEVICE
 - MOLDED CASE SWITCH
 - THERMAL MAGNETIC
 - ELECTRONIC (LD)
 - ELECTRONIC (LSD)
 - POLES:
 - TRIP RATING: A
 - WITHSTAND RATING: KA B
- ▽ SYSTEM MUST UTILIZE A SOLIDLY GROUNDED NEUTRAL
- ▽ 3 PHASE CONNECTION SHOWN FOR SINGLE PHASE CONNECT A AND B ONLY.
- ▽ B PHASE MUST BE HIGHER VOLTAGE TO GROUND ON 4 WIRE DELTA SYSTEMS.

SERIAL NUMBER:

AS BUILT BY:	TESTED BY:
AS BUILT DATE:	TESTED DATE:

DRAWINGS AND/OR OTHER TECHNICAL INFORMATION SUPPLIED BY THOMSON TECHNOLOGY ARE THE PROPERTY OF THOMSON TECHNOLOGY. THE SALE OF EQUIPMENT AND/OR THE PURCHASE OF EQUIPMENT IS CONSIDERED TO BE A PART OF THE TERMS OF SALE.

CUSTOMER	
CUSTOMER ORDER NO.	WORK ORDER NO.
DRAWN BY: SH	AUTH BY: SH
DATE: 04-10-15	REV:
DRAWING/FILE NO.: B70E001	SHEET: 1/1



AUTOMATIC TRANSFER SWITCH
MODEL TS 87 A A1 1 A
SCHEMATIC DIAGRAM
A V 0 W Hz

