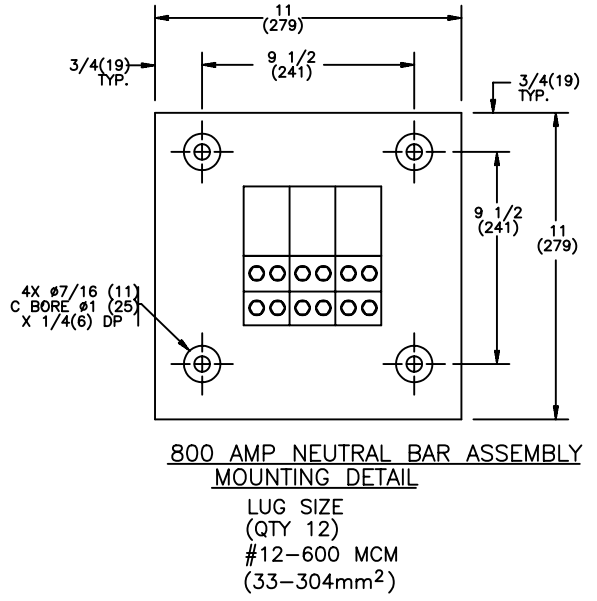
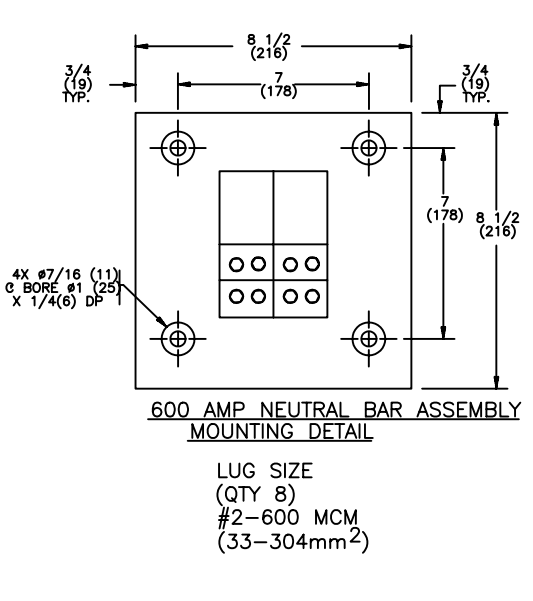
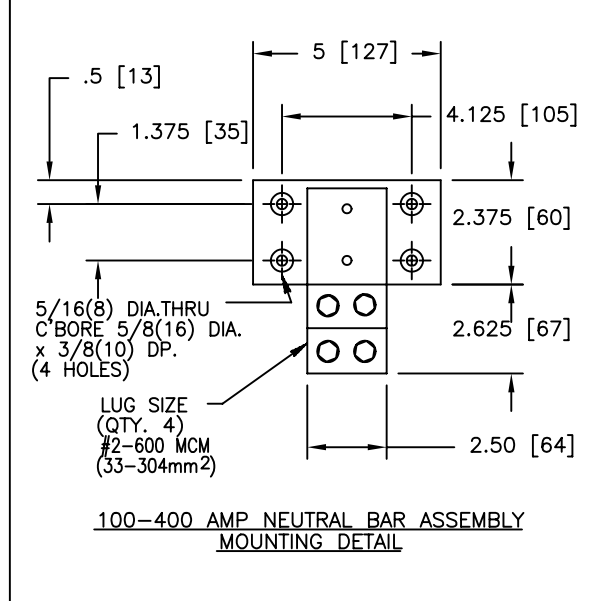
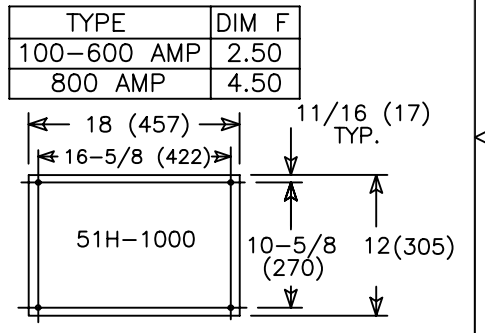
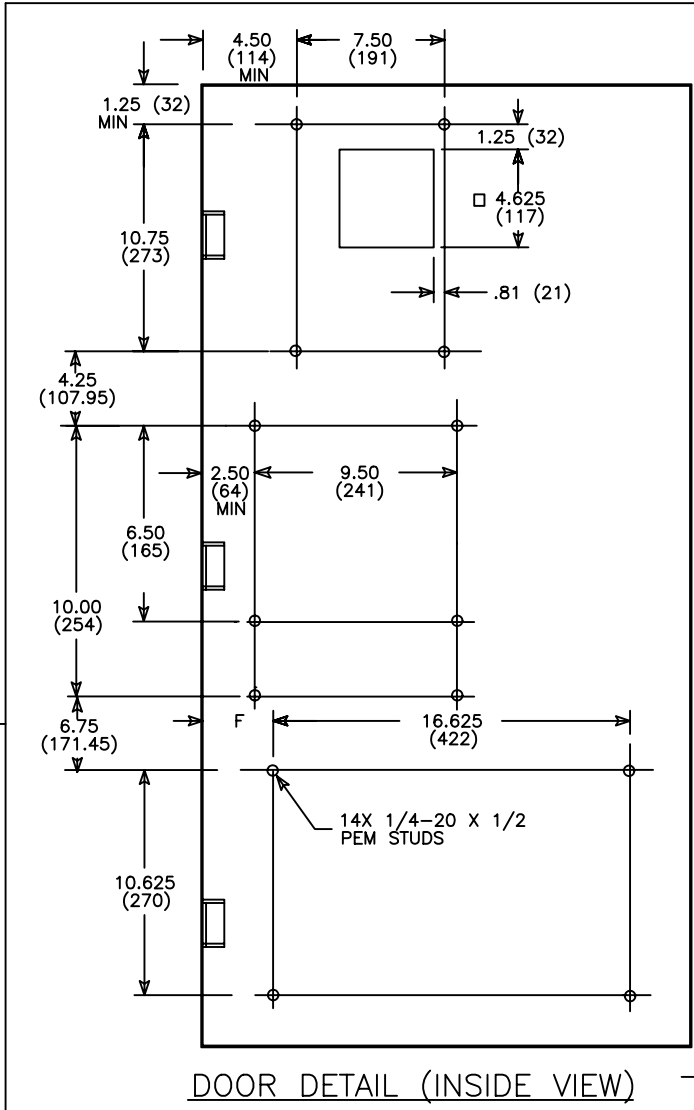


REVISIONS			
REV.	DESCRIPTION	DATE	APPROVED
E	S-8154	08/24/04	GG MF

QTY.	LUG SIZES	NOTE
100-400A	1 #4 - 600 MCM (33-304 MM ²)	DRAWING SHOWN WITH 600 AMP LUG CONFIGURATION FOR REFERENCE ONLY.
600A	2 #2 - 600 MCM (33-304 MM ²)	
800A	4 #2 - 600 MCM (33-304 MM ²)	

- NOTES:**
- FOR 2-POLE SWITCHES, OMIT CENTER POLE.
 - OPEN TYPE SWITCH SUPPLIED WITH 6 FT. (1.8m) LONG HARNESS BETWEEN POWER AND CONTROL PANELS. HARNESS EXITS FROM LOWER RIGHT CORNER OF POWER PANEL.
 - DO NOT RUN CABLES IN FRONT OF SWITCH RUN ALL CABLES ON RIGHT SIDE.
 - MAINTAIN ELECTRICAL CLEARANCE OF 1(25mm) MIN. BETWEEN LIVE METAL PARTS AND GROUNDED METAL.
 - DIMENSIONS FOR 3-POLE AND 4-POLE SWITCHES ARE IDENTICAL EXCEPT AS NOTED.
 - ALL DIMENSIONS ARE FOR REFERENCE ONLY AND SHOWN IN INCHES (MILLIMETERS).



SIGNATURES		DATE
MODEL	GG	08/24/04
DETAIL		
CHECKED		
ENGRG	MF	
MFG		
QUALITY		
ISSUED		
DRAWING FILE:	50c-2008-e-1.dwg	
MODEL / ASSEMBLY FILE:	ZTSCT 100-800 AMP 2.3 & 4P	
# CTQs	CRITICAL TO QUALITY CHARACTERISTIC	

GE Zenith Controls

TRANSFER SWITCH FRONT LUGS

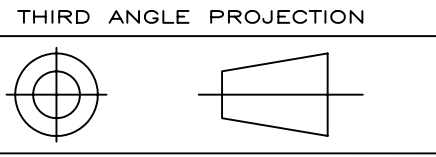
FIRST MADE FOR: ZTSCT 100-800 AMP 2.3 & 4P

SIZE	CAGE CODE	DWG NO
B		50C-2008

SCALE: N/A SHEET 1 OF 2

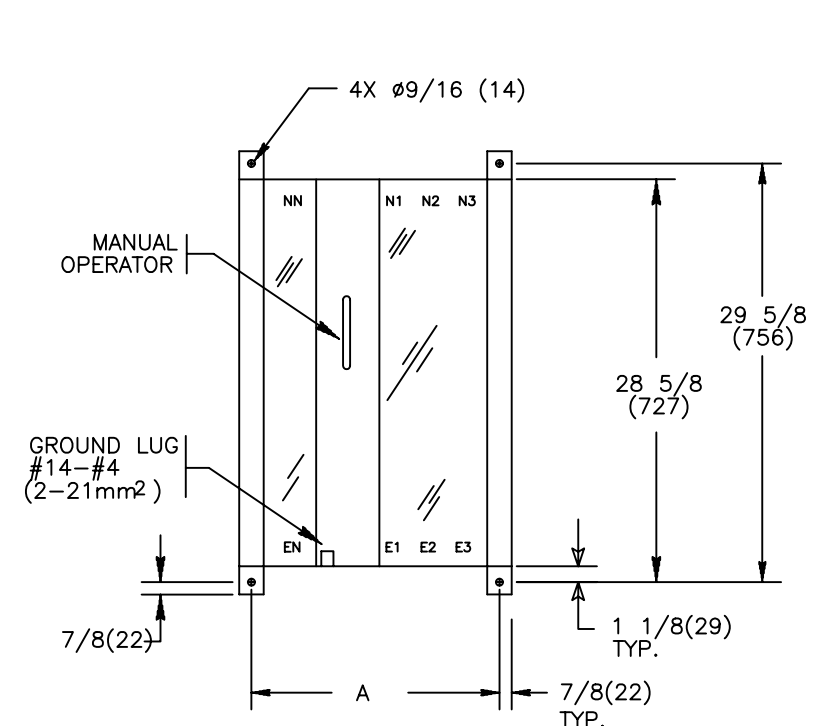
GE PROPRIETARY AND CONFIDENTIAL INFORMATION

This document is the property of General Electric Company ("GE") and contains proprietary information of GE. This document is loaned on the express condition that neither it nor the information contained therein shall be disclosed to others without the express written consent of GE Industrial Systems, and that the information shall be used by the recipient only as approved expressly by GE Industrial Systems. This document shall be returned to GE upon its request. This document may be subject to certain restrictions under U.S. export control laws and regulations.



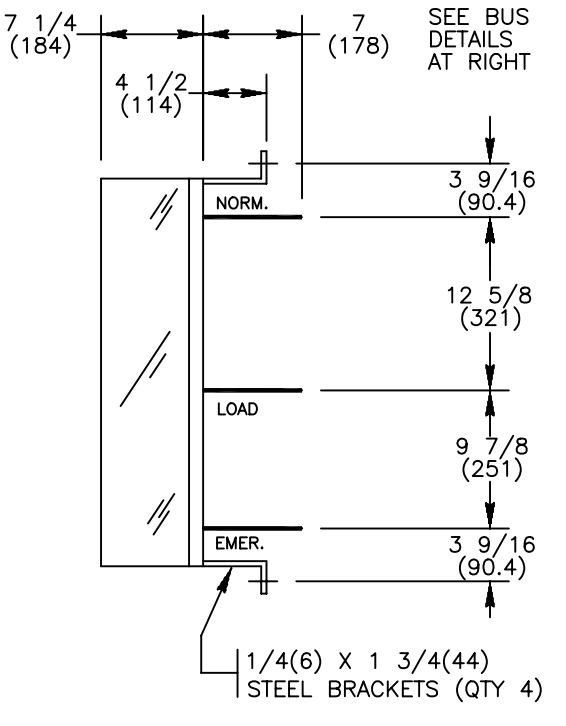
AutoCad Generated

REVISIONS			
REV.	DESCRIPTION	DATE	APPROVED
E	S-8154	08/24/04	GG MF

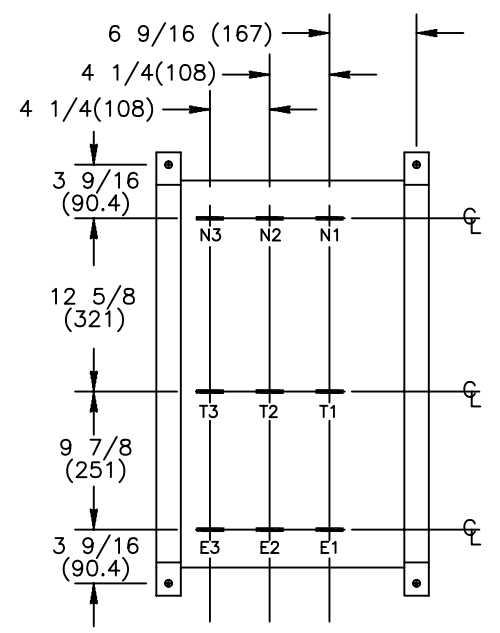


FRONT VIEW

	A
2/3-POLE	17 5/8 (448)
4-POLE	23 3/8 (594)

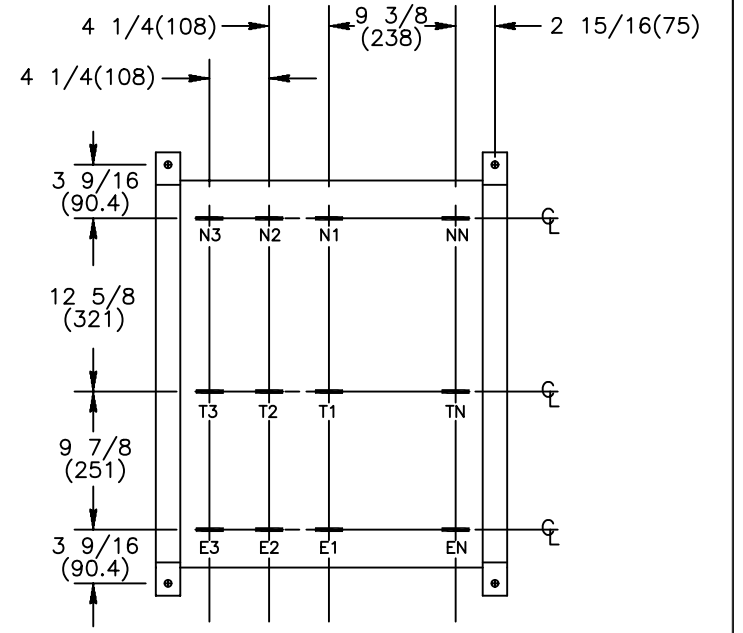


RIGHT SIDE VIEW



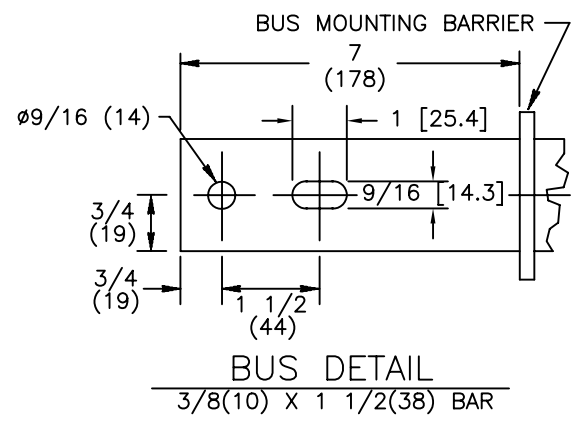
2/3-POLE SWITCH

BUS DETAILS (REAR VIEW)



4-POLE SWITCH

BUS DETAILS (REAR VIEW)



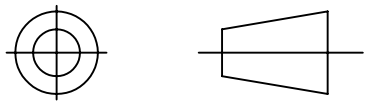
BUS DETAIL

3/8(10) X 1 1/2(38) BAR

NOTES:

- FOR 2-POLE SWITCHES, OMIT CENTER POLE.
- OPEN TYPE SWITCH SUPPLIED WITH 6 FT. (1.8m) LONG HARNESS BETWEEN POWER AND CONTROL PANELS. HARNESS EXITS FROM LOWER RIGHT CORNER OF POWER PANEL.
- DO NOT RUN CABLES IN FRONT OF SWITCH. RUN ALL CABLES ON RIGHT SIDE.
- MAINTAIN ELECTRICAL CLEARANCE OF 1(25mm) MIN. BETWEEN LIVE METAL PARTS AND GROUNDED METAL.
- ALL DIMENSIONS ARE FOR REFERENCE ONLY AND SHOWN IN INCHES(MILLIMETERS).
- SEE "DOOR DETAIL" & "CONTROL PANEL" DIMENSIONS ON SHEET 1.

THIRD ANGLE PROJECTION



GE PROPRIETARY AND CONFIDENTIAL INFORMATION

This document is the property of General Electric Company ("GE") and contains proprietary information of GE. This document is loaned on the express condition that neither it nor the information contained therein shall be disclosed to others without the express written consent of GE Industrial Systems, and that the information shall be used by the recipient only as approved expressly by GE Industrial Systems. This document shall be returned to GE upon its request. This document may be subject to certain restrictions under U.S. export control laws and regulations.

AutoCad Generated

MODEL	GG
DETAIL	
CHECKED	
ENGRG	MF 08/24/04
MFG	
QUALITY	
ISSUED	
DRAWING FILE:	50c-2008-e-1.dwg
MODEL / ASSEMBLY FILE:	ZTSCT 100-800 AMP
# CTQs	⊖ CRITICAL TO QUALITY CHARACTERISTIC

GE Zenith Controls

TITLE: TRANSFER SWITCH REAR BUS

FIRST MADE FOR: ZTSCT 100-800 AMP 2.3 & 4P

SIZE	CAGE CODE	DWG NO
B		50C-2008

SCALE: N/A SHEET 2 OF 2