

REVISIONS			
REV.	DESCRIPTION	DATE	APPROVED
F	S-8605 REVISED DRAWING	1/26/07	CEE MAS

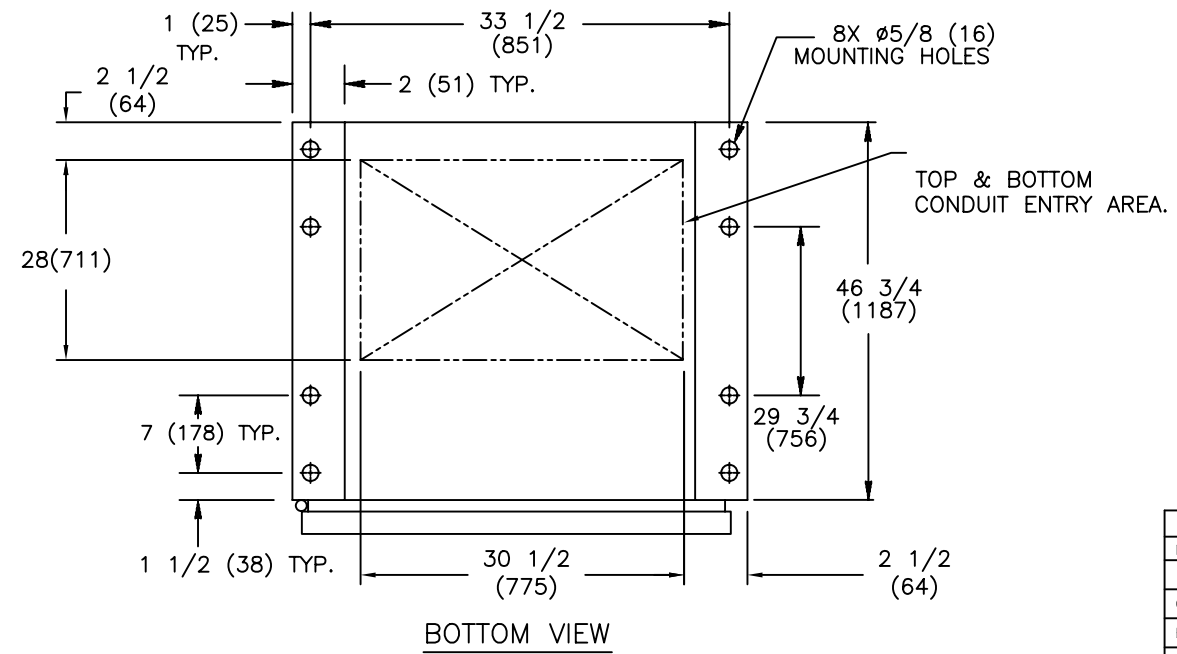
MODEL	AMPERAGE	CONTROLLER TYPE	NO. POLES	NEMA CABINET	LUG RANGE	WIRE BENDING SPACE		WIRE GUTTERS		CABINET REAR
						P(TOP)	R(BOTTOM)	S(LEFT)	T(RIGHT)	Y
ZTS(D/CT)	1600-2000	MX-250	3	F-1836MPL	#2-600 MCM (33-304mm <sup>2</sup> )	41 1/8 (1045)	20 1/8 (511)	5 3/4 (146)	17 1/4 (438)	23 5/8 (600)
			4						5 3/4 (146)	
	3		17 1/4 (438)						16 1/4 (413)	
	4		5 3/4 (146)							

LUGS ARE SUPPLIED AS OPTIONAL ACCESSORY ONLY. TYPICAL CONFIGURATION SHOWN FOR REFERENCE ONLY.

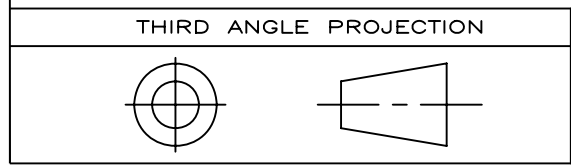
ON 3000 AMP SWITCH LUGS ARE ORIENTED VERTICALLY

**NOTES:**

- MATERIAL: 10 GA. .134(3) 1018 HRS REF. (F-1836MPL)
- FINISH: ANSI 61 GREY
- ALL CABLE ENTRY IN REAR OF CABINET.
- WIRING BENDING AND GUTTER SPACES MEASURED AT POINT OF CONNECTION TO LUGS. LUGS ARE SUPPLIED AS OPTION ONLY.
- ALL DIMENSIONS ARE FOR REFERENCE ONLY AND SHOWN IN INCHES(MILLIMETERS).
- ALL SIDE AND REAR DOOR/PANELS SHALL HAVE GUTTER AND KNIFE EDGE FLANGES, AND HAVE HINGES ON THE RIGHT HAND SIDE.
- CONSTRUCTION PER UL 1008
- FOR SEISMIC MOUNTING, REFER TO SHEET NO.2.



SIGNATURES		DATE	GE Zenith Controls	
MODEL	SG	02/05/01	TITLE	
DETAIL			TRANSFER SWITCHES	
CHECKED			NEMA 1 ENCLOSURE	
ENGRG	SB		FIRST MADE FOR:	
MFG			SIZE	CAGE CODE
QUALITY			B	DWG NO
ISSUED			50C-1001	
DRAWING FILE:	50c-1001-f-1.dwg		SCALE: N/A	
MODEL / ASSEMBLY FILE:	ZTS(D/CT) 1600-3000		SHEET 1 OF 2	
# CTQs	CRITICAL TO QUALITY CHARACTERISTIC			



GE PROPRIETARY AND CONFIDENTIAL INFORMATION

This document is the property of General Electric Company ("GE") and contains proprietary information of GE. This document is loaned on the express condition that neither it nor the information contained therein shall be disclosed to others without the express written consent of GE Industrial Systems, and that the information shall be used by the recipient only as approved expressly by GE Industrial Systems. This document shall be returned to GE upon its request. This document may be subject to certain restrictions under U.S. export control laws and regulations.

AutoCad Generated

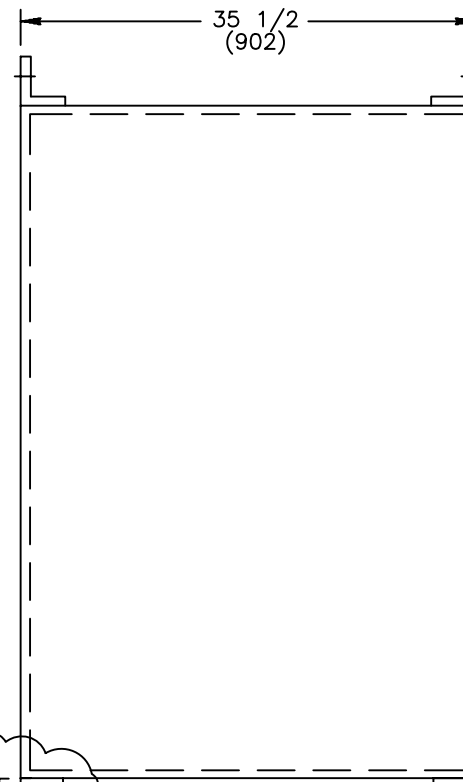
REVISIONS			
REV.	DESCRIPTION	DATE	APPROVED
F	S-8605 ESTABLISHED DRAWING	1/26/07	CEE MAS

**NOTES:**

- ALL DIMENSIONS ARE FOR REFERENCE ONLY AND SHOWN IN INCHES (MILLIMETERS).
- SEISMIC DATA OF MOST VULNERABLE ATS CONSTRUCTION WITHIN ITS PLATFORM:

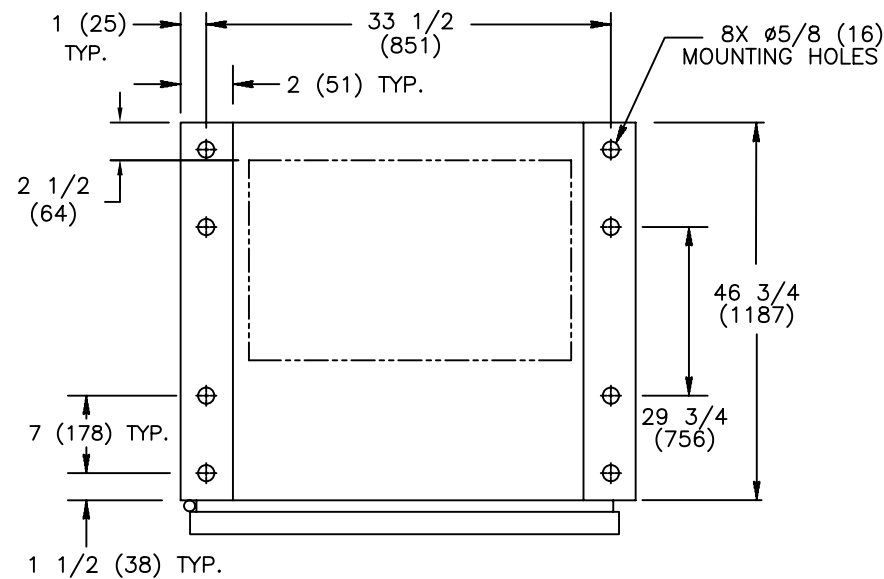
MAXIMUM DEFLECTION AT TOP OF GEAR: $d_{ss}=0.69$ INCHES (18 mm) $d_{fb}=0.21$ INCHES (5 mm)
QUALIFIED BY: TIME HISTORY SHAKE TABLE TEST IEEE-693-2005-HIGHx2.5 (64 mm) IBC-2003-300%G
RESONANCE FREQUENCIES: $f_{ss}=10.9$ Hz $f_{fb}=19.5$ Hz $f_v > 33.0$ Hz
MAXIMUM REACTION TO ANY BOLT: $V_{ss}=945$ LBS (430 KG) SHEAR (DEAD LOAD +/- SEISMIC) $V_{fb}=945$ LBS (430 KG) SHEAR $T_v=1872$ LBS (851 KG) UP $P_v=2613$ LBS (1188 KG) DOWN

- BOLT ENCLOSURE FROM C-CHANNEL BASE (SEE DETAIL A) USING THE FOLLOWING SEISMIC CERTIFIED MOUNTING HARDWARE PER MOUNTING HOLE: (HARDWARE PROVIDED BY INSTALLER).
  - 1/2-13 GRADE 5 BOLT TORQUE TO 15 FT-LBS. (95 NEWTON METERS).
  - US STANDARD HIGH STRENGTH ZINC-PLATED FLAT WASHER 5/8 (16) I.D. AND 1-1/2 (38) O.D.
  - 1/2 (13) HELICAL SPRING LOCK WASHER.

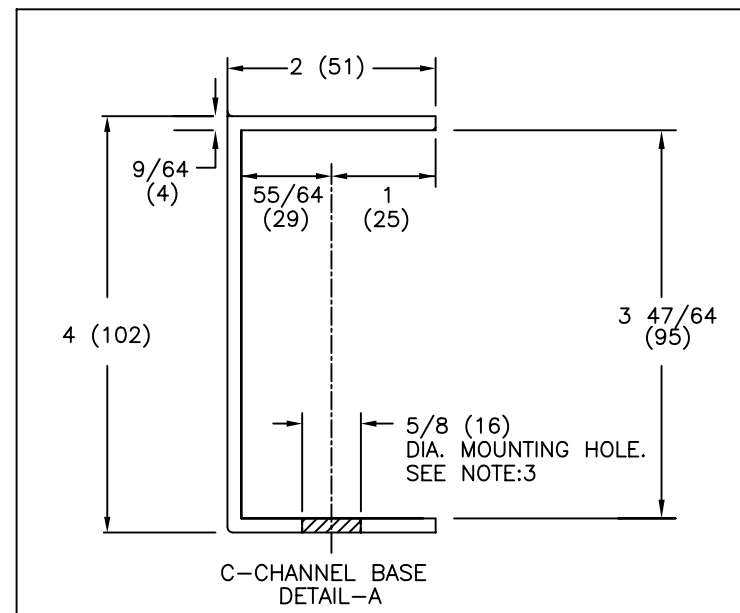


REAR VIEW

2 (51) X 4 (102) X 2 (51)  
.134 (3) (10 GA.)  
WELDED STEEL CHANNELS



BOTTOM VIEW



C-CHANNEL BASE  
DETAIL-A

SIGNATURES		DATE
MODEL	SG	02/05/01
DETAIL		
CHECKED		
ENGRG	CEE	1/26/07
MFG		
QUALITY		
ISSUED		
DRAWING FILE:	50c-1001-f-2.dwg	
MODEL / ASSEMBLY FILE:	ZTS(D/CT) 1600-3000	
# CTQs	⊖ CRITICAL TO QUALITY CHARACTERISTIC	

**GE Zenith Controls**

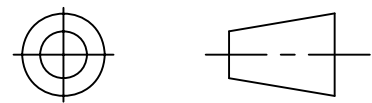
TITLE: NEMA 1 ENCLOSURE SEISMIC MTG. DETAIL

FIRST MADE FOR: 50C-1001

SIZE: B CAGE CODE: DWG NO: 50C-1001

SCALE: N/A SHEET 2 OF 2

THIRD ANGLE PROJECTION



GE PROPRIETARY AND CONFIDENTIAL INFORMATION

This document is the property of General Electric Company ("GE") and contains proprietary information of GE. This document is loaned on the express condition that neither it nor the information contained therein shall be disclosed to others without the express written consent of GE Industrial Systems, and that the information shall be used by the recipient only as approved expressly by GE Industrial Systems. This document shall be returned to GE upon its request. This document may be subject to certain restrictions under U.S. export control laws and regulations.

AutoCad Generated