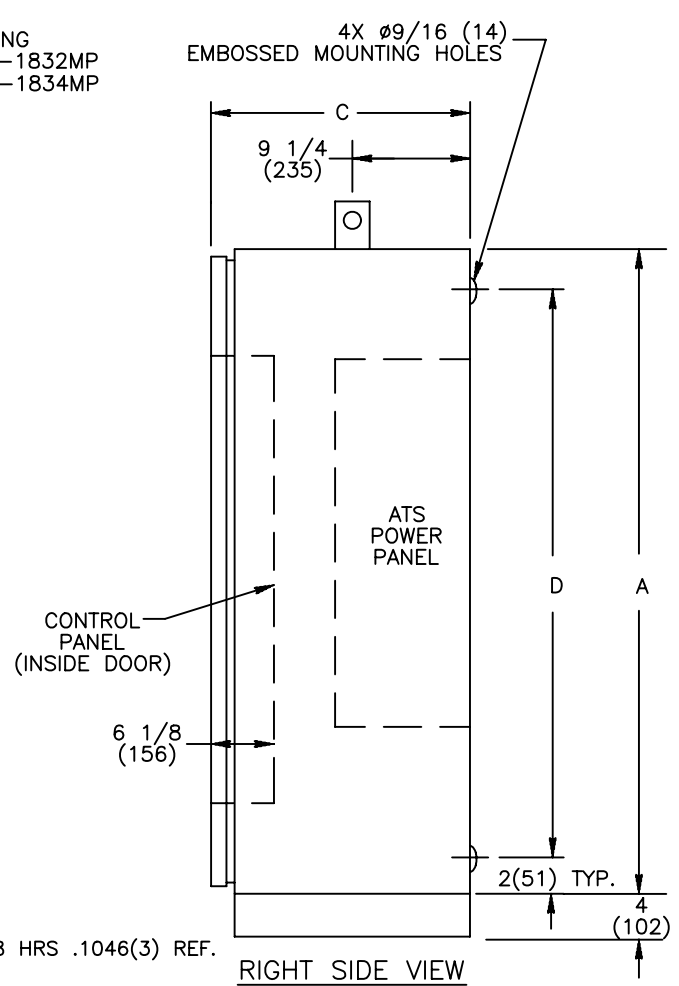
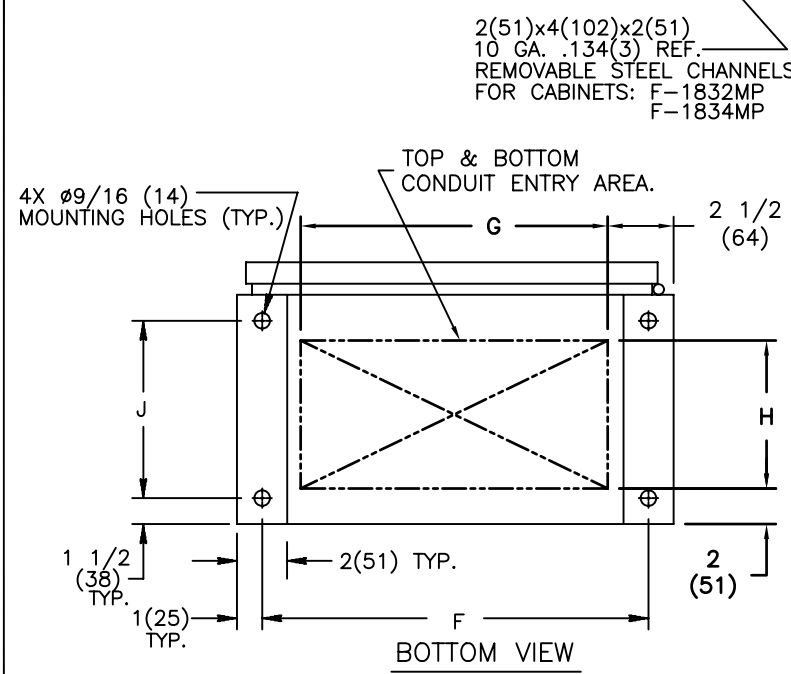


NOTES:

- MATERIAL:
 - A. 12 GA. 1018 HRS .1046(3) REF. (F-1834MP)
 - B. 14 GA. 1018 HRS .074(2) REF. (F-1830MP, F-1832MP)
 - C. 16 GA. 1018 HRS .0598(1.5) REF. (F-1828MP) UNLESS OTHERWISE NOTED.
- FINISH: ANSI 61 GREY
- ALL DIMENSIONS ARE FOR REFERENCE ONLY AND SHOWN IN INCHES(MILLIMETERS).
- CONSTRUCTION PER UL 1008
- A ZTG 40A-225A WHEN ORDERED WITH THE FOLLOWING OPTIONS WILL REQUIRE A LARGER ENCLOSURE OF 46"H X 24"W X 14"D: A62(T), DIGITAL METER, HT, OCVR-1SG, OCVR-1SS.
- FOR SEISMIC MOUNTING, REFER TO SHEET NO.6.

CABINET DIMENSIONS									
CABINET	A	B	C	D	E	F	G	H	J
F-1830MP	46 (1168)	24 (610)	14 (356)	42 (1067)	20 (508)	--	19 (483)	6 (152)	--
F-1832MP	62 (1575)	40 (1016)	19 1/2 (495)	58 (1473)	20 (508)	22 (559)	22 (559)	11 (279)	15 1/2 (394)
F-1834MP	70 (1778)	40 (1016)	19 1/2 (495)	66 (1676)	36 (914)	38 (965)	35 (889)	4 (102)	--
F-1828MP	24 (610)	18 (457)	11 (279)	20 (508)	16 (406)	--	13 (330)	4 (102)	--



REVISIONS			
REV.	DESCRIPTION	DATE	APPROVED
V	S-8720 REVISED DRAWING	12/05/07	CEE MAS

MODEL	AMPERAGE	NO. POLES	NEMA CABINET	LUG RANGE	WIRE BENDING SPACE		WIRE GUTTERS					
					P(TOP)	R(BOTTOM)	S(LEFT)	T(RIGHT)				
ZTG	40-150	2,3	F-1828MP	#8-3/0 (8-85mm ²)	7 (178)	8 (203)	3 1/2 (89)	5 7/8 (149)				
		4						4 1/2 (114)				
	200	2,3		#6-250 MCM (13-127mm ²)				8 7/8 (225)				
		4						7 1/2 (191)				
	225, 260	2		#6-350 MCM (13-177mm ²)				14 3/4 (375)	14 5/8 (371)	4 7/8 (124)	7 5/8 (194)	
		3								4 5/8 (117)	5 9/16 (141)	
		4								2 3/4 (70)		
		4								4 7/8 (124)	7 5/8 (194)	
	400	2		#4-600 MCM (21-304mm ²)				18 1/2 (470)	18 (457)	4 5/8 (117)	5 9/16 (141)	
		3								4 5/8 (117)		
		4								2 3/4 (70)		
	600	2		F-1832MP				(QTY 2) #2-600 MCM (33-304mm ²)	15 (381)	18 (457)	9 7/8 (251)	2 7/16 (62)
3		8 (203)										
4		6 1/16 (154)										
800	2,3	F-1834MP	(QTY 4) #2-600 MCM (33-304mm ²)	18 1/2 (470)	18 (457)	17 1/8 (435)	1 1/8 (29)					
	4					10 3/4 (273)						
ZTGD	40-80	2	F-1830MP	#8-3/0 (8-85mm ²)	14 3/4 (375)	14 5/8 (371)	4 7/8 (124)	7 5/8 (194)				
		3					4 5/8 (117)	5 9/16 (141)				
		4					2 3/4 (70)					
	100-400	2					#4-600 MCM (21-304mm ²)	14 3/4 (375)	14 5/8 (371)	4 7/8 (124)	7 5/8 (194)	
		3								4 5/8 (117)	5 9/16 (141)	
		4								2 3/4 (70)		
	600	2					F-1832MP	(QTY 2) #2-600 MCM (33-304mm ²)	15 (381)	18 (457)	9 7/8 (251)	2 7/16 (62)
		3									8 (203)	
		4									6 1/16 (154)	
	800	2,3					F-1834MP	(QTY 4) #2-600 MCM (33-304mm ²)	18 1/2 (470)	18 (457)	17 1/8 (435)	1 1/8 (29)
		4									10 3/4 (273)	

SIGNATURES		DATE
MODEL	EC	11/01/00
DETAIL		
CHECKED		
ENGRG	SB	11/01/00
MFG		
QUALITY		
ISSUED		
DRAWING FILE:	52c-1035-v-1.dwg	
MODEL / ASSEMBLY FILE:	ZTG(D) (40-800A)	
# CTQs	⊖	CRITICAL TO QUALITY CHARACTERISTIC

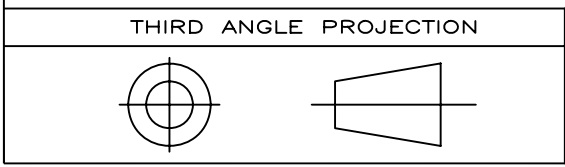
GE Zenith Controls

TITLE: TRANSFER SWITCHES NEMA 1 ENCLOSURE

FIRST MADE FOR: -

SIZE: B CAGE CODE: DWG NO: 52C-1035

SCALE: N/A SHEET 1 OF 6



GE PROPRIETARY AND CONFIDENTIAL INFORMATION

This document is the property of General Electric Company ("GE") and contains proprietary information of GE. This document is loaned on the express condition that neither it nor the information contained therein shall be disclosed to others without the express written consent of GE Industrial Systems, and that the information shall be used by the recipient only as approved expressly by GE Industrial Systems. This document shall be returned to GE upon its request. This document may be subject to certain restrictions under U.S. export control laws and regulations.

AutoCad Generated

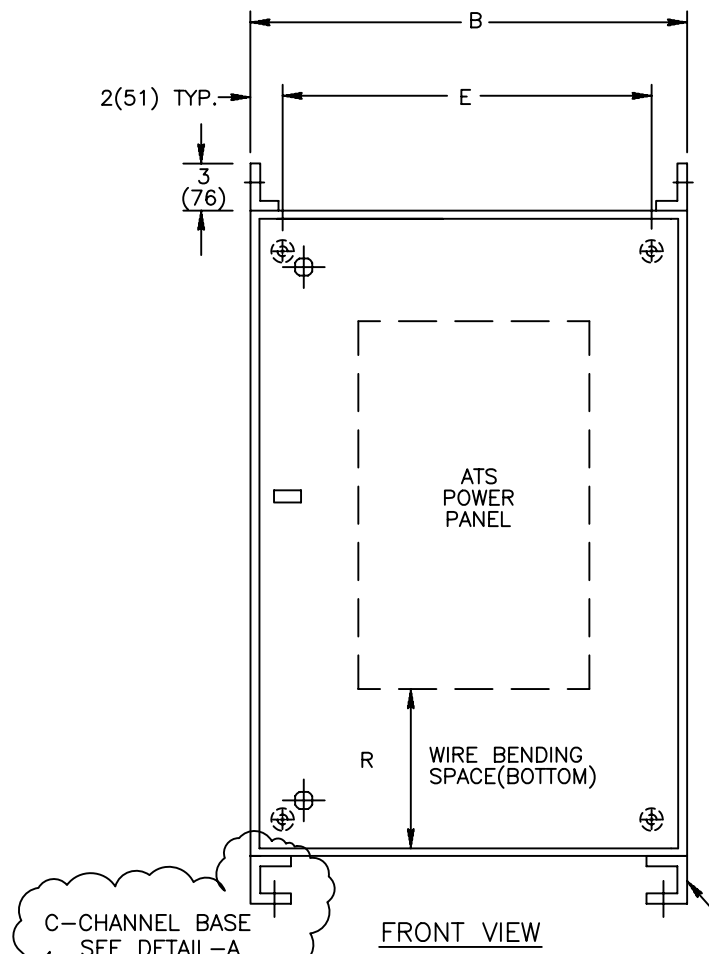
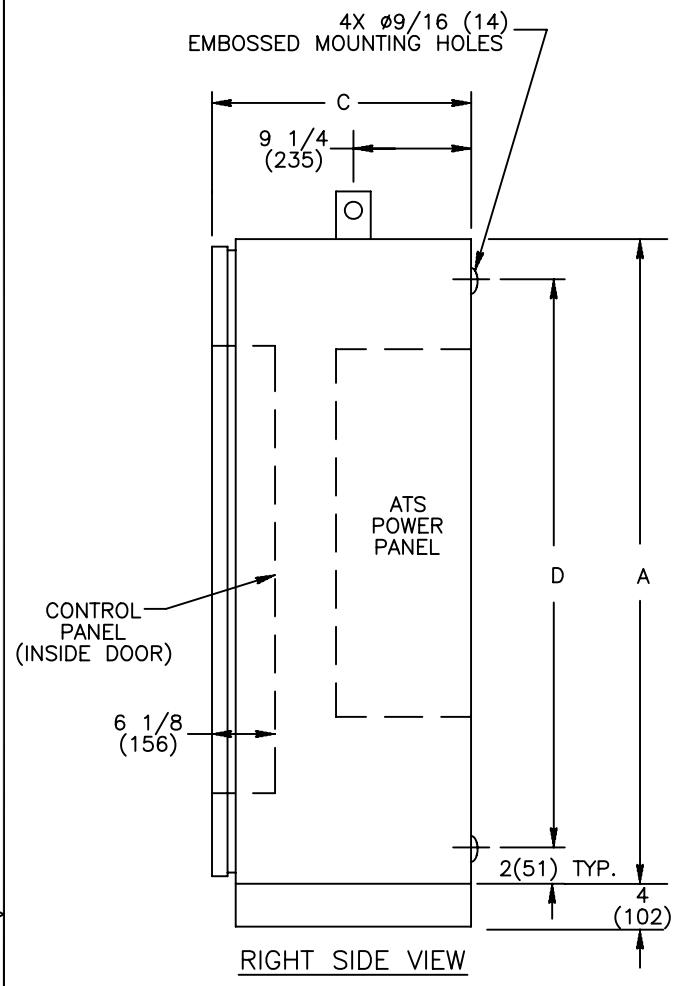


REVISIONS			
REV.	DESCRIPTION	DATE	APPROVED
V	S-8720 ESTABLISHED DRAWING	12/05/07	CEE MAS

NOTES:

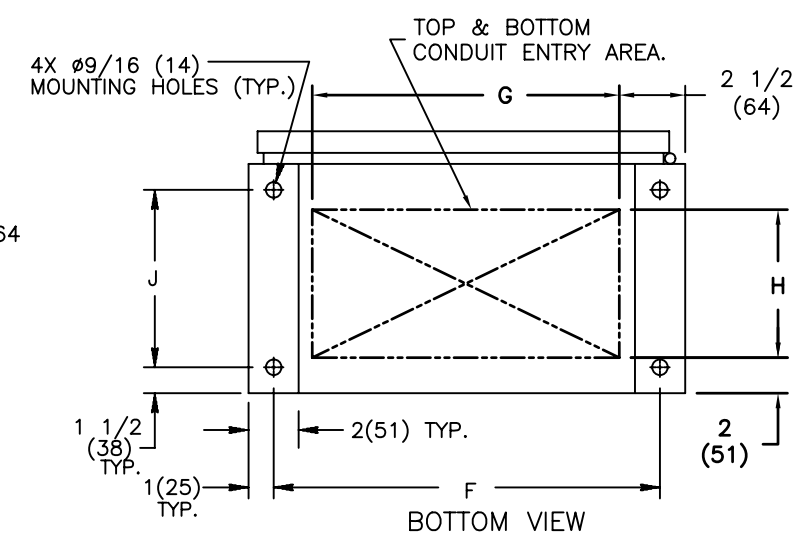
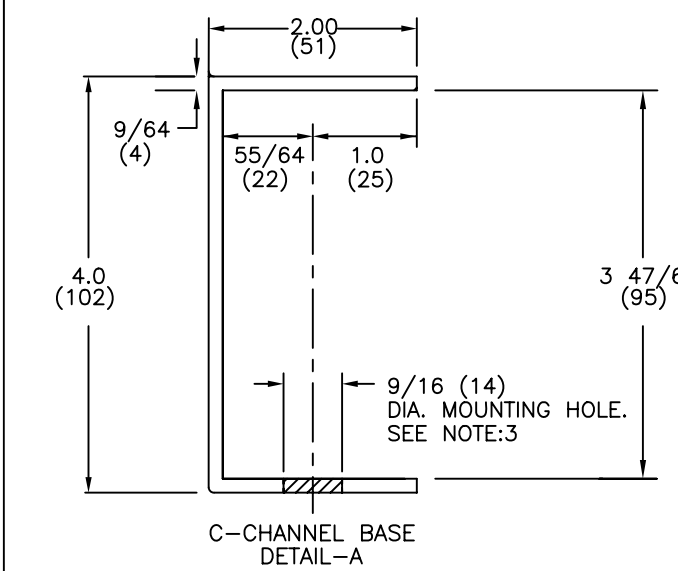
- ALL DIMENSIONS ARE FOR REFERENCE ONLY AND SHOWN IN INCHES (MILLIMETERS).
- SEISMIC DATA OF MOST VULNERABLE ATS CONSTRUCTION WITHIN ITS PLATFORM:

MAXIMUM DEFLECTION AT TOP OF GEAR:	dss=0.69 INCHES (18 mm)
	dfb=0.21 INCHES (5 mm)
QUALIFIED BY:	TIME HISTORY SHAKE TABLE TEST
	IEEE-693-2005-HIGHx2.5 (64 mm)
	IBC-2003-300%G
RESONANCE FREQUENCIES:	fss=10.9 Hz
	ffb=19.5 Hz
	fv=>33.0 Hz
MAXIMUM REACTION TO ANY BOLT:	Vss=945 LBS (430 KG) SHEAR
	(DEAD LOAD +/- SEISMIC)
	Vfb=945 LBS (430 KG) SHEAR
	Tv=1872 LBS (851 KG) UP
	Pv=2613 LBS (1188 KG) DOWN
- BOLT ENCLOSURE FROM C-CHANNEL BASE (SEE DETAIL A) USING THE FOLLOWING SEISMIC CERTIFIED MOUNTING HARDWARE PER MOUNTING HOLE: (HARDWARE PROVIDED BY INSTALLER).
 - 1/2-13 GRADE 5 BOLT TORQUE TO 15 FT-LBS. (95 NEWTON METERS).
 - US STANDARD HIGH STRENGTH ZINC-PLATED FLAT WASHER 5/8 (16) I.D. AND 1-1/2 (38) O.D.
 - 1/2 (13) HELICAL SPRING LOCK WASHER.



C-CHANNEL BASE
SEE DETAIL-A

2(51)x4(102)x2(51)
10 GA. .134(3) REF.
REMOVABLE STEEL CHANNELS
FOR CABINETS: F-1832MP
F-1834MP



CABINET DIMENSIONS									
CABINET	A	B	C	D	E	F	G	H	J
F-1830MP	46 (1168)	24 (610)	14 (356)	42 (1067)	20 (508)	--	19 (483)	6 (152)	--
F-1832MP	62 (1575)	40 (1016)	19 1/2 (495)	58 (1473)	20 (508)	22 (559)	35 (889)	11 (279)	15 1/2 (394)
F-1834MP	70 (1778)	40 (1016)	19 1/2 (495)	66 (1676)	36 (914)	38 (965)	35 (889)	11 (279)	15 1/2 (394)
F-1828MP	24 (610)	18 (457)	11 (279)	20 (508)	16 (406)	--	13 (330)	4 (102)	--

SIGNATURES		DATE
MODEL	EC	11/01/00
DETAIL		
CHECKED		
ENGRG	CEE	1/26/07
MFG		
QUALITY		
ISSUED		
DRAWING FILE:	52c-1035-v-6.dwg	
MODEL / ASSEMBLY FILE:	ZTG(D) (600-800A)	
# CTQs	⊖	CRITICAL TO QUALITY CHARACTERISTIC

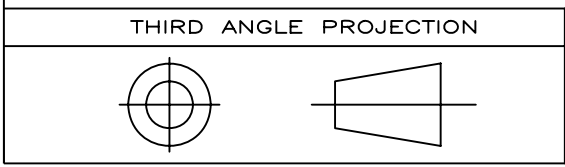
GE Zenith Controls

TITLE: NEMA 1 ENCLOSURE SEISMIC MTG. DETAIL

FIRST MADE FOR: -

SIZE: B CAGE CODE: DWG NO: 52C-1035

SCALE: N/A SHEET 6 OF 6



GE PROPRIETARY AND CONFIDENTIAL INFORMATION

This document is the property of General Electric Company ("GE") and contains proprietary information of GE. This document is loaned on the express condition that neither it nor the information contained therein shall be disclosed to others without the express written consent of GE Industrial Systems, and that the information shall be used by the recipient only as approved expressly by GE Industrial Systems. This document shall be returned to GE upon its request. This document may be subject to certain restrictions under U.S. export control laws and regulations.

AutoCad Generated

